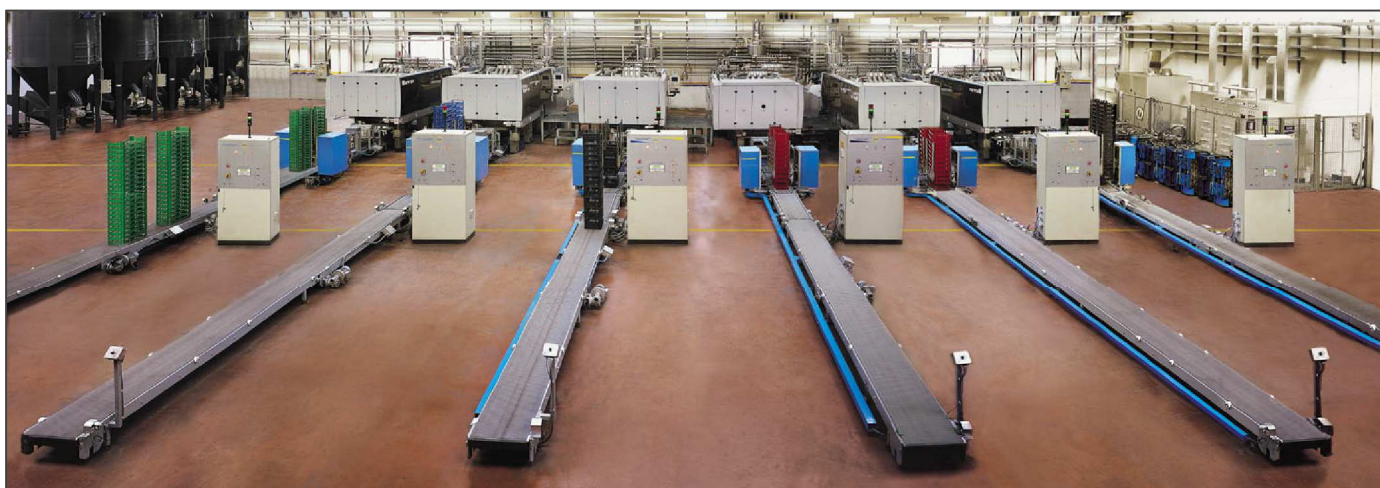




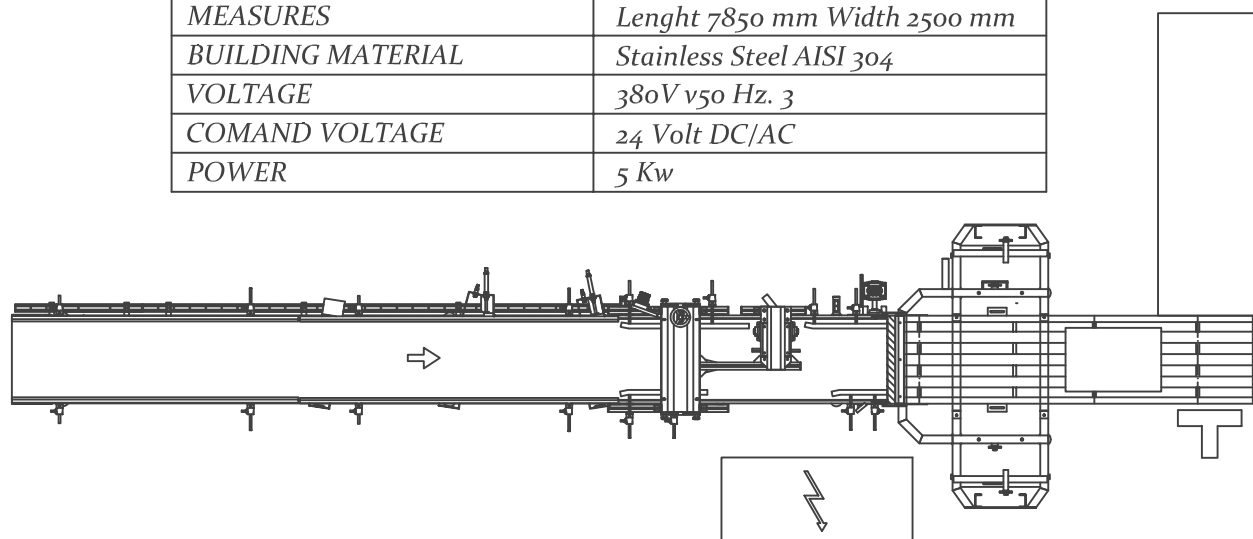
GETTING EXPERIENCE , BUILDING INNOVATION !

LCQ 600 L - STACKER FOR PLASTIC CRATES



<i>PERFORMANCE PLANT</i>	
<i>SIZE</i>	<i>30x40 Hight Min. 7 Max 25</i>
	<i>30x50 Hight Min. 7 Max 25</i>
	<i>40x60 Hight Min. 7 Max 25</i>
<i>NR. STACKS</i>	<i>1x1 Stack</i>
<i>SPEED</i>	<i>6 crates per minute</i>

<i>TECHNICAL DETAILS</i>	
<i>MEASURES</i>	<i>Lenght 7850 mm Width 2500 mm</i>
<i>BUILDING MATERIAL</i>	<i>Stainless Steel AISI 304</i>
<i>VOLTAGE</i>	<i>380V 50 Hz. 3</i>
<i>COMAND VOLTAGE</i>	<i>24 Volt DC/AC</i>
<i>POWER</i>	<i>5 Kw</i>



COMPONENTI UTILIZZATI

SISTEMA DI GESTIONE DEL MOTO	ACOM
INVERTER	Control Techniques
INTERRUTTORI BLOCCA PORTE	Magrini
TELERUTTORI E RELÉ TERMICI	Telemecanique
PORTA FUSIBILI	Magrini
INTERRUTTORI MAGNETOTERMICI	Telemecanique
RELÉ AUSILIARI	Finder
PULSANTI Ø 22,5	Telemecanique
LAMPADA SPIA Ø 22,5	Telemecanique
FOTOCELLULE	Telemecanique
SENSORI DI PROSSIMITÀ	Telemecanique
FINECORSA DI SICUREZZA	Telemecanique
CASSETTE DI DERIVAZIONE	RTA
ELETTROVALVOLE	Camozzi
MOTORI - RIDUTTORI	SITI - Motovario
MOTORI AUTOFRENANTI	Control Techniques
CUSCINETTI	SKF - FAG - NSK
NASTRI IN PLASTICA	Habasit

Operating and Components : The LCQ 600 facilitates and optimizes the stacking of plastic crates. When the plastic crate is printed, it falls down on belt conveyor. Then it passes through quality control, then to the stacking phase, done with motorized arms.

The LCQ – 600 can form one or more stacks simultaneously, then they go to pick up place where the operator palletizes them manually .

The plant is complete of :

- Belt conveyor
- 90° ejector
- Quality control
- Arms for stacking
- Eletrical control panel



" Engineering Taylor - Made in Italy "

ACOM S.r.l.

Via I Traversa Ugo foscolo ,5/7 - Tel . 081 954461

84010 S.Egidio M.Albino (SA)

www.acomimballaggio.com - info@acomimballaggio.com



Acom Imballaggio